

TEMPERATURE CONTROLLER
1/8 DIN - 48 x 96
KX1 model

Quick Guide • ISTR-FKX1ENG03



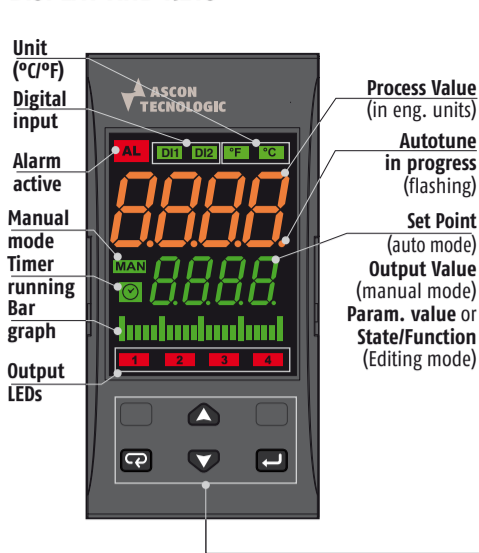
DECLARATION OF CONFORMITY AND MANUAL RETRIEVAL

KX1 is a panel mounting, Class II instrument. It has been designed with compliance to the European Directives. All information about the controller use can be found in the Engineering Manual: **ISTR-MKX-ENG0x** ("x" is the revision). The Declaration of Conformity and the manual of the controller can be downloaded (free of charge) from the web-site: www.ascontecnologic.com Once connected to the web-site, search: **KX1** then click on **KX1**. In the lower part of the product page (in any language) is present the download area with links to the documents available for the controller (in the available languages).

Warning!

- Whenever a failure or a malfunction of the device may cause dangerous situations for persons, things or animals, please remember that the plant must be equipped with additional devices which will guarantee safety.
- We warrant that the products will be free from defects in material and workmanship for 18 months from the date of delivery. Products and components that are subject to wear due to conditions of use, service life and misuse are not covered by this warranty.

DISPLAY AND KEYS



DIMENSIONS

Overall dimensions (W x H x D): 48 x 96 x 75.9 mm (1.89 x 3.78 x 2.99 in.)
Panel Cut-out (W x H): 45+0.6 x 89+0.6 mm (1.78+0.023 x 3.50+0.023 in.)



viale Indipendenza 56, 27029 - Vigevano (PV) - ITALIA
Tel.: +39 0381 698 71, Fax: +39 0381 698 730
Sito internet: www.ascontecnologic.com
E-mail: sales@ascontecnologic.com

MODEL CODE

The Hardware resources are identified by the following Model Code.

Model: **KX1** **A B C D E F G H I** - **0 0 0 0**

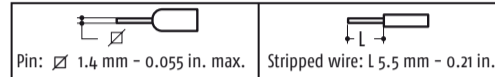
Line	KX	1
Optional functions	A	
None	-	
Timer	T	
Power Supply	B	
100... 240Vac (-15... +10%)	H	
24Vac (-25... +12%) or 24Vdc (-15... +25%)	L	
Input	C	
TC, PT100, PT1000, mA, mV, V + Digital Input 1	C	
TC, NTC, PTC, mA, mV, V + Digital Input 1	E	
Output OP1	D	
Relay (1 SPST NO, 4 A/250 Vac)	R	
VDC for SSR (12 Vdc/20 mA)	O	
Output OP2	E	
None	-	
Relay (1 SPST NO, 2 A/250 Vac)	R	
VDC for SSR (12 Vdc/20 mA)	O	
Output OP3	F	
None	-	
Relay (1 SPST NO, 2 A/250 Vac)	R	
VDC for SSR Vdc (12 Vdc/20 mA)	O	
Output OP4	G	
Digital I/O (see the Electrical Connections paragraph for details)	D	
Serial Communications	H	
TTL	-	
RS485 Modbus	S	
Terminal Type	I	
Standard (screw type non removable terminal blocks)	-	
With plug-in screw type terminal blocks	E	
With plug-in clamp type terminal blocks	M	
With plug-in terminal blocks (fixed part only)	N	

Line	KX	1
Output OP3	F	
None	-	
Relay (1 SPST NO, 2 A/250 Vac)	R	
VDC for SSR Vdc (12 Vdc/20 mA)	O	
Output OP4	G	
Digital I/O (see the Electrical Connections paragraph for details)	D	
Serial Communications	H	
TTL	-	
RS485 Modbus	S	
Terminal Type	I	
Standard (screw type non removable terminal blocks)	-	
With plug-in screw type terminal blocks	E	
With plug-in clamp type terminal blocks	M	
With plug-in terminal blocks (fixed part only)	N	

Model Code example: **KX1-HCRRRD--**
Controller KX1, no timer, 100... 240 Vac, TC/PT100/PT1000/mV/V + Digital Input 1, 3 Relay Outputs, Output 4, TTL, Non removable screw type terminals.

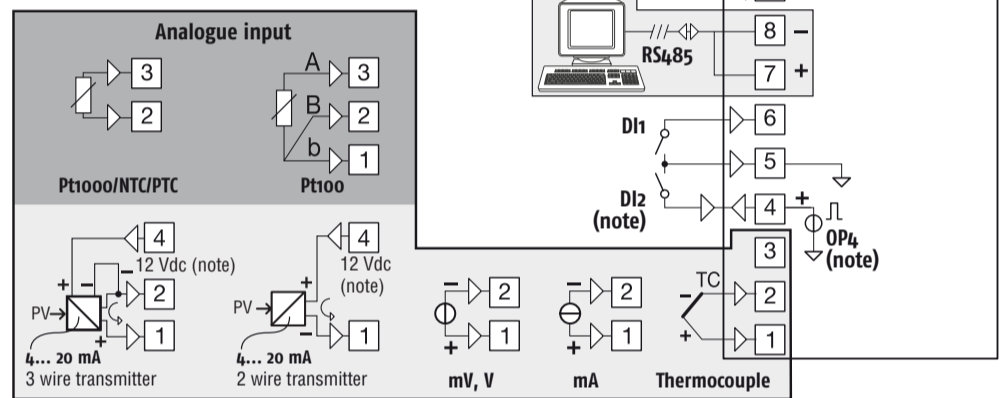
ELECTRICAL CONNECTIONS

Terminals



Note: Terminal 4 can be programmed as:

- **Digital Input (DI2)** connecting a free of voltage contact between terminals 4 and 5;
- **0... 12 V SSR Drive Output (OP4)** connecting the load between terminals 4 and 5;
- **12 Vdc (20 mA) transmitter power supply** connecting the 2 wire transmitter between terminals 4 and 1; for 3 wire transmitter connect terminal 4 to transmitter power supply input and terminal 1 and 2 to transmitter signal output.

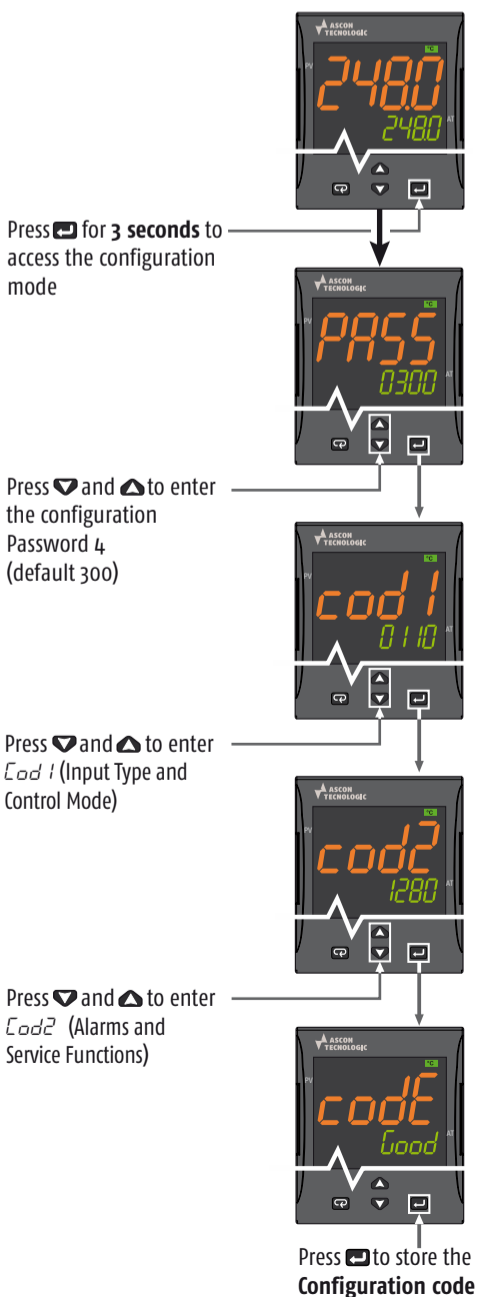


CONFIGURATION CODE

The KX1 can be easily configured by the "Code Configuration" method for the most common requirements, just entering two 4-digit codes: **Code1 [LMNO]** for the Input Type and Control Mode selection and **Code2 [PQRS]** for the Alarms and the Service Functions. For complete controller configuration see the Engineering Manual.

Note: Before starting the configuration code setting, please define and write down **Code1** and **Code2** as needed:

HOW TO SET THE CONFIGURATION CODE



Note: To leave the Configuration session without saving the settings made, press the **ESC** button

Input Type and Range	L	M
TC J	0	0
TC K	0	1
TC S	0	2
TC R	0	3
TC T	0	4
Infrared J	0	5
Infrared K	0	6
PT 100/PTC KTY81-121	0	7
PT 1000/NTC 103-AT2	0	8
Linear 0... 60 mV	0	9
Linear 12... 60 mV	1	0
Linear 0... 20 mA (this selection forces Out 4 = TX)	1	1
Linear 4... 20 mA (this selection forces Out 4 = TX)	1	2
Linear 0... 5 V	1	3
Linear 1... 5 V	1	4
Linear 0... 10 V	1	5
Linear 2... 10 V	1	6
TC J	1	7
TC K	1	8
TC S	1	9
TC R	2	0
TC T	2	1
Infrared J	2	2
Infrared K	2	3
PT 100/PTC KTY81-121	2	4
PT 1000/NTC 103-AT2	2	5

Alarm	P	Q	R
Alarm 3			R
Alarm 2		Q	
Alarm 1	P		
Not used	0	0	0
Sensor break	1	1	1
Absolute High	2	2	2
Absolute Low	3	3	3
Absolute High/Low External High/Low	4	4	4
Absolute High/Low Internal High/Low	5	5	5
Deviation High	6	6	6
Deviation Low	7	7	7
Band External	8	8	8
Band Internal	9	9	9

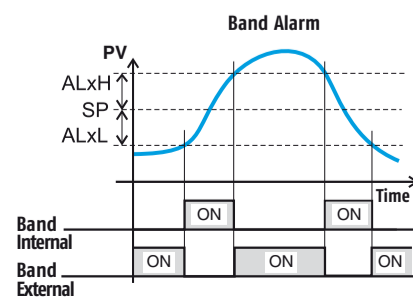
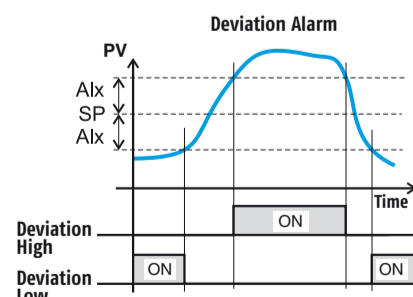
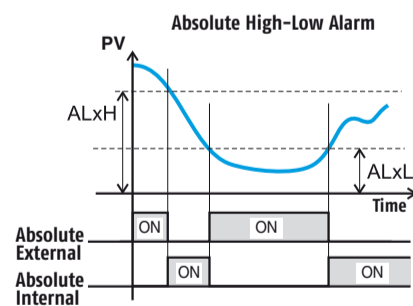
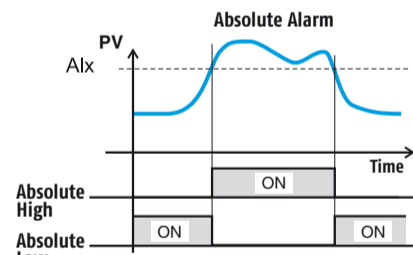
Control mode	OP1	OP2	OP3	OP4	N	O
ON/OFF heating = H	H	AL1	AL2	AL3	0	0
ON/OFF cooling = C	C	AL1	AL2	AL3	0	2
ON/OFF with neutral zone (H/C)	H	C	AL2	AL3	0	4
PID heating = H	H	AL1	AL2	AL3	1	0
PID cooling = C	C	AL1	AL2	AL3	1	2
PID double action (H/C)	H	C	AL2	AL3	1	4

Note: As default, when the alarms are active, only AL1 threshold is available at "Operator Command" level to perform non critical tasks. To protect the AL2 and AL3 thresholds against undesired changes, they are available only at "Parameters list" level (password: 20). For different configurations, see the Engineering Manual.

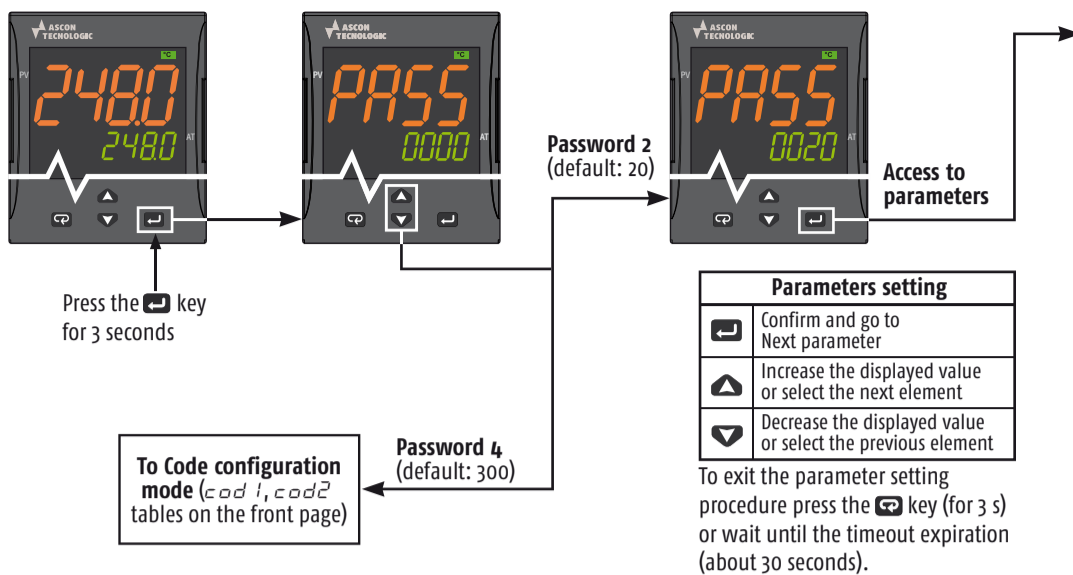
Service functions activation	S
None	0
Wattmeter (instantaneous power expressed in kW) (note 1)	1
Wattmeter (Power consumption expressed in kWh/h) (note 2)	2
Absolute worked time (expressed in days) (note 3)	3
Absolute worked time (expressed in hours) (note 3)	4

Note: 1. **Wattmeter Instantaneous power** is continuously computed as multiplication of the Load Voltage, Load Current parameter values and the controller output instantaneous value.
2. **Wattmeter power consumption** is the estimated hourly energy consumption (using Load Voltage and Load Current parameter values), computed on the previous 15 minutes period. The readout is updated every 15 minutes.
3. **Worked Time counter** is continuously increased when the controller is turned ON.

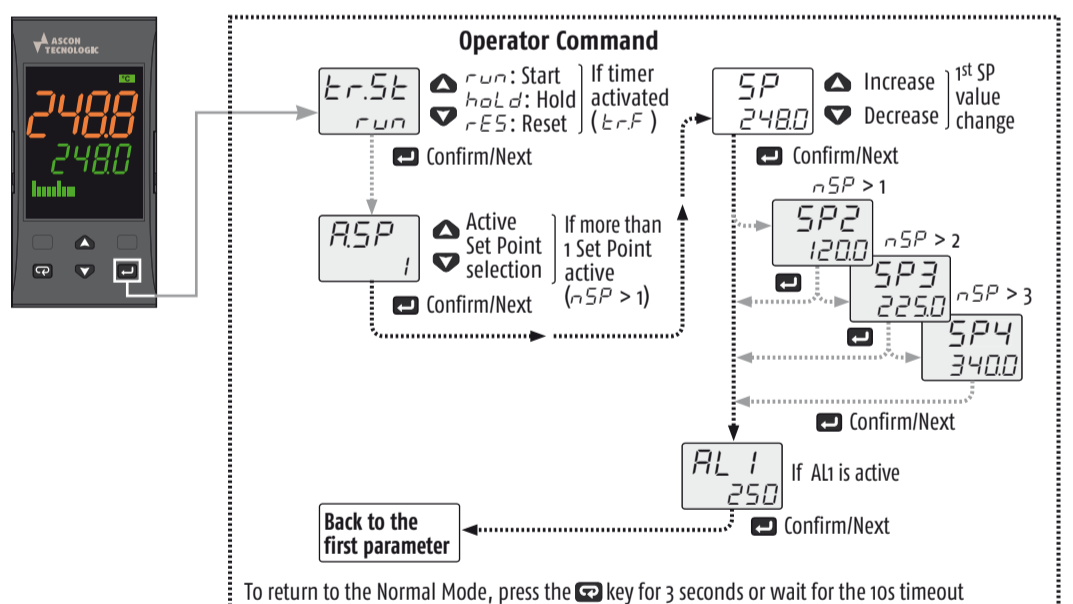
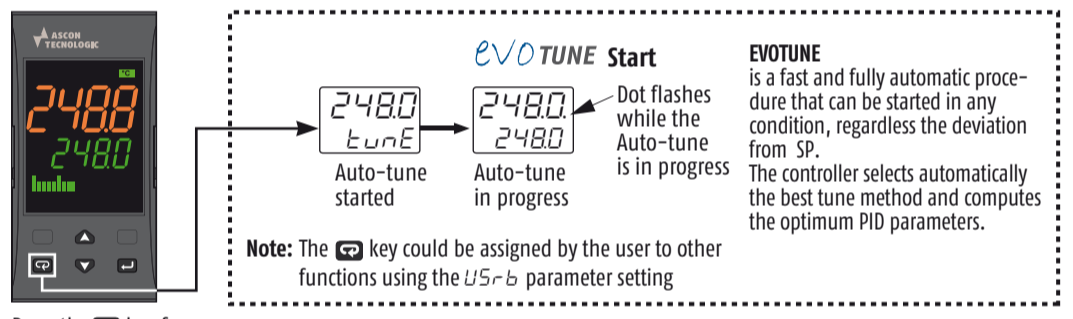
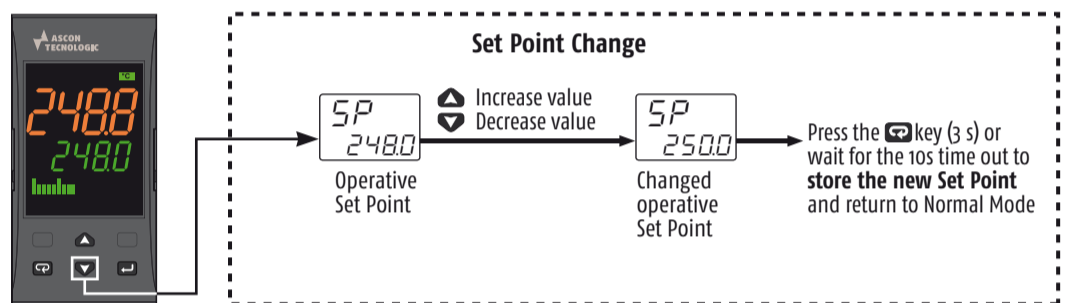
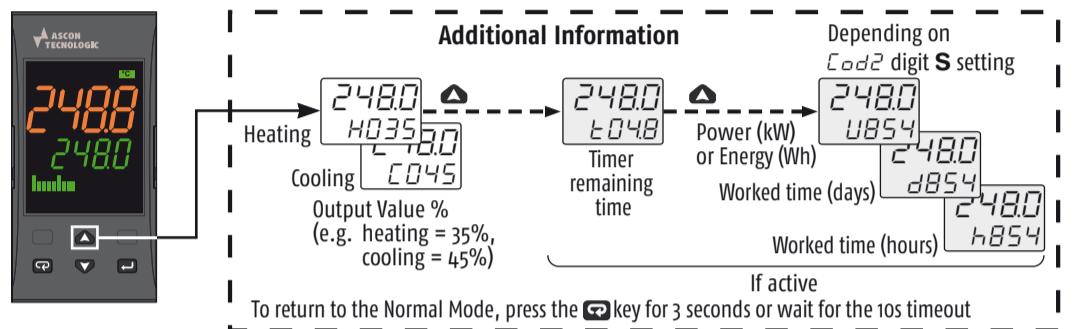
ALARM TYPES (Code2 digits: P, Q, R)



PARAMETERS SETTING



CONTROLLER OPERATION

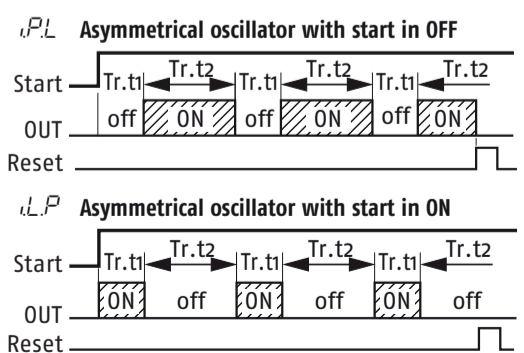
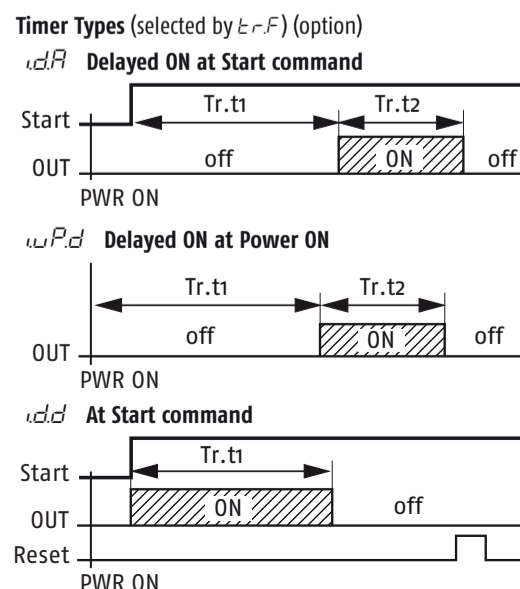


Parameters List (PASS: 20) (in gray the parameters related to optional features)

Group	Param.	Description	Range value or selection list elements	Default	User value	Note
Commands	trSt	Timer status				Option
	oPEr	Operative Mode Selection	reg = Auto, oplo = Manual, stdy = Standby			
	RSP	Set Point Selection	0 = SP, 1 = SP2, 2 = SP3, 3 = SP4	0 = SP		
	tunE	Start Auto Tune	0 = OFF, 1 = start	0 = OFF		evoTUNE
Control	Pb	Proportional Band	1... 9999 (Engineering Units = E.U.)	20		
	tI	Integral Time	0... 10000 s	200		Cod 1 Digit N = 1
	tD	Derivative Time	0... 1000 s	50		
	HSEt	Hysteresis ON/OFF Control	0... 9999 (E.U.)	1		Cod 1 Digit N = 0
	tCH	Heating output cycle time	0.1... 130 s	20.0		Cod 1 Digit N = 1
	rCG	Relative Cooling Gain	0.01... 99.99	1.00		Cod 1 Digit N = 1 Cod 1 Digit O > 4
	tCC	Cooling output cycle time	0.1... 130 s	20.0		Cod 1 Digit N = 1 Cod 1 Digit O > 1
Set Point	SP	Set Point 1	-1999... +9999 (E.U.)			
	SP2	Set Point 2				If nSP > 1
	SP3	Set Point 3	-1999... +9999 (E.U.)			If nSP > 2
	SP4	Set Point 4				If nSP > 3
	SPLL	Set Point min. Value	-1999... SPHL (E.U.)			
	SPHL	Set Point max. Value	SPLL... 9999 (E.U.)			
Alarms	nSP	No. of Set Points	1... 4	1		
	AL1	Alarm 1 threshold	AL1L... AL1H			
	AL1L	Alarm 1 low threshold/Low limit	-1999... +9999 (E.U.)	-1999		If digit P of Cod 2 is > 1
	AL1H	Alarm 1 high threshold/High limit		9999		
	HAL1	AL1 hysteresis	1... 9999 (E.U.)	1		
	AL2	Alarm 2 threshold	AL2L... AL2H			
	AL2L	Alarm 2 low threshold/Low limit	-1999... +9999 (E.U.)	-1999		If digit Q of Cod 2 is > 1
	AL2H	Alarm 2 high threshold/High limit		9999		
	HAL2	AL2 hysteresis	1... 9999 (E.U.)	1		
	AL3	Alarm 3 threshold	AL3L... AL3H			
	AL3L	Alarm 3 low threshold/Low limit	-1999... +9999 (E.U.)	-1999		If digit R of Cod 2 is > 1
	AL3H	Alarm 3 high threshold/High limit		9999		
Soft Start	SSP	Soft Start Output value	-100... 100%	0		
	SSt	Soft Start Time	0.00... 8.00 (hh.mm)	0		
	Input	SSc	Low Scale readout	-1999... 9999	-1999	
FSc		High Scale readout	-1999... 9999	9999		
dP		Number of decimals	0... 3 (linear inputs); 0... 1 (other inputs)	0		
Timer	FIL	Measured value Digital filter	OFF; 0.1... 20.0 s	0 = OFF		
	trF	Timer Type	nonE = Timer not used i.d.A = Delayed ON at start command i.uP.d = Activation ON at Power ON i.d = At start command i.P.L = Asymmetrical oscillator, start in OFF i.L.P = Asymmetrical oscillator, start in ON	none		Timer management (Start, Stop, Reset) can be done using the trSt command or the key (if programmed) or by the Dh/Dl2 digital inputs (if programmed).
	trU	Timer Units	0 = hh.mm 1 = mm.ss 2 = sss.d	1 = mm.ss		
I/O	trt1	Time 1	00.01... 995.9	1.00		
	trt2	Time 2	00.00... 995.9	1.00		
Digital Inputs	io4F	I/O 4 Function	ON = Transmitter Power Supply OUT4 = SSR out Di2C = Dig. In. from contact Di2U = 24 VDC Digital Input	ON		
	dIF1	Digital Input 1 Function	0... 21	0		See the Dh, Dl2 functions table
	dIF2	Digital Input 2 Function	0... 21	0		
Display	uSrb	Key Function	nonE, tunE, oplo, aac, asi, chsp, st.by, str.t	tunE		See the Key function table
	dVCL	Colour of the Process Value display	0 = Change 1 = Red 2 = Green 3 = Orange	2		If Change, the colour is green if PV differs from SP less than AdE, red if higher than AdE and orange if is lower than AdE
	AdE	Display change color threshold (when dVCL = 0)	0 (OFF)... 9999 (e.u.)			
Serial communications	dStE	Display Power OFF time (mm.ss)	oFF (display ON) 0.1... 99.59	oFF		
	bGF	Bar graph Function	nonE, Pou, Po.h, Pr.tu, Pr.td, Pr.tS, ti.uP, ti.du, r.iSP	Pou		
Wattmeter	AdD	Instrument Address	1... 254	1		Modbus RTU slave protocol
	bAud	Baud rate	1200, 2400, 9600 baud, 19.2, 38.4 kbaud	9600		
Password	UoLt	Load Voltage	1... 999 (V)	230		If digit S of Cod 2 is > 1
	cUr	Load Current	1... 9999 (A)			
Password	PAS4	Configuration access Password	0... 999	300		
	PAS2	Parameters access Password	0... 999	20		

Note: To access all the instrument features, please see the "Complete configuration procedure" in the "Engineering Manual". Complete Configuration and Parameter setting can be easily uploaded from the controller and downloaded to other controllers using the Configuration Key and Communication Adapter model: A-01.

FUNCTION SELECTION



dIF Digital Inputs Dh and Dl2 Functions

Code displayed	Description
0	Disabled (OFF) (default)
1	Alarm Reset
2	Alarm Acknowledge (ACK)
3	Hold of the measured value
4	Stand by mode
5	Manual Mode
6	Heat with "SP" and Cool with "SP2"
7	Timer Run/Reset [on transition]
8	Timer Run [on transition]
9	Timer Reset [on transition]
10	Timer Run/Reset
11	Timer Run/Reset
12	Timer Run/Reset with lock at the end of the time count
18	Sequential Set Point selection [on transition]
19	SP/SP2 selection
20	Binary coding for Set Point selection on Dh and Dl2 (00 = SP, 01 = SP2, 10 = SP3, 11 = SP4)
21	Digital inputs in parallel to the and keys (Dh = ▲, Dl2 = ▼)

uSrb Key Function

Code displayed	Description
nonE	Not used
tunE	Starts auto tuning functions (default)
oPlo	Manual mode
ARc	Alarm Reset
AS	Alarm Acknowledge
chSP	Circular Set Point Selection (shows SP, SP2, SP3)
Stby	Stand-by mode
StErE	Starts/Stop/Reset timer