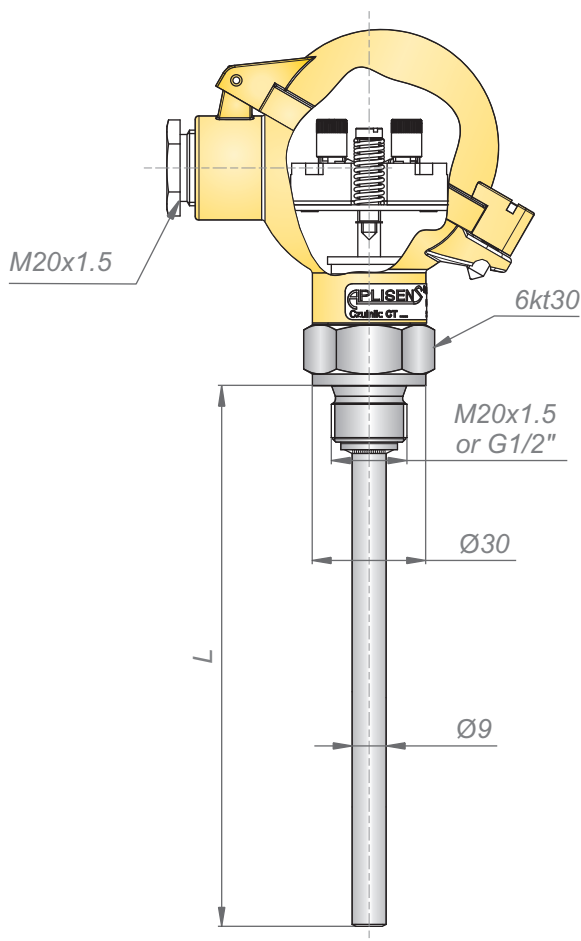


# Temperature sensor type CT GB1



## TECHNICAL DATA:

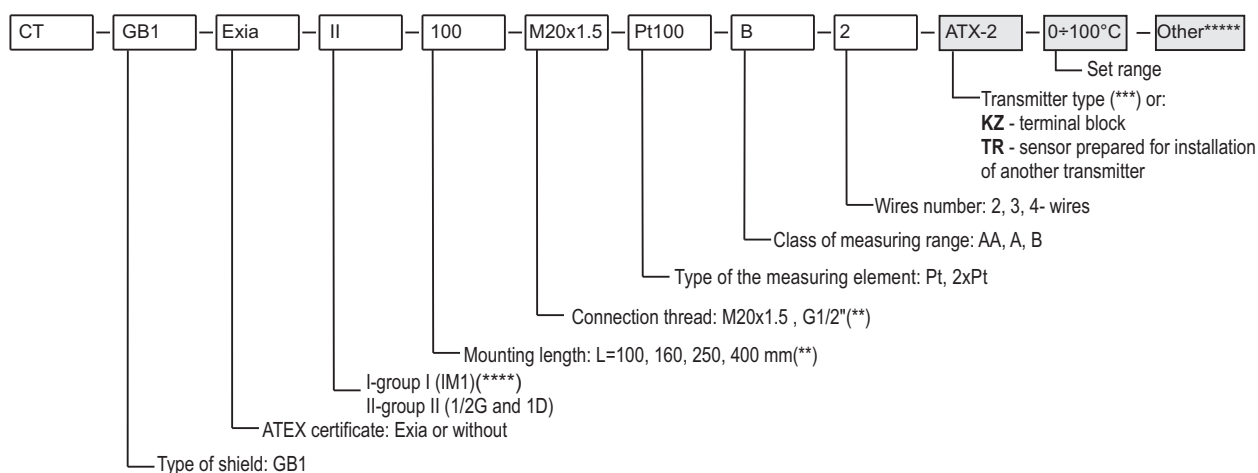
1. Measuring range:  
Pt: -50...150°C / -196...150°C (\*)
2. Admissible load:  
see **Graph 2** (page X/ 17)
3. Material of wetted parts:  
304ss or 316Lss (\*\*)
4. Standard immersion length  
L=100, 160, 250, 400 mm (\*\*)
5. Process connection:  
M20x1,5 or G1/2"(\*\*)
6. Time constant:

Type of sensor	T <sub>0.5</sub> [s]	T <sub>0.9</sub> [s]
CT GB1	≤ 33	≤ 95

7. Diameter of the measuring insert:  
Ø 6 mm
8. Minimal immersion depth:  
90 mm
9. Admissible vibrations at mounting site:  
5 ... 80 [Hz] (up to 5 [g])

Certyfikat ATEX: I M1 Ex ia I  
II 1/2 G Ex ia IIC T6  
II 1D Ex iaD 20 T75°C

## Ordering procedure with example of ordering code:



## ADDITIONAL INFORMATION:

- 1.(\*) Type of exchangeable insert: W2-standard for range -50...150°C or W1 for range -196...150°C.
- 2.(\*\*) Non-standard version of temperature sensors on request.
- 3.(\*\*\*) Type of temp. transmitters: LI24-G, AT-2, GI-22-2, ATX-2, GIX-22-2 or other.
- 4.(\*\*\*\*) Temperature sensor for group I is produced with stainless steel housing.
- 5.(\*\*\*\*\*) Additional required parameters acc. to transmitter data sheet.