



# HE-RCC972 Compact Controller

8 Digital DC Inputs / 4 Digital Outputs

8 Analog Inputs / 4 Analog Outputs

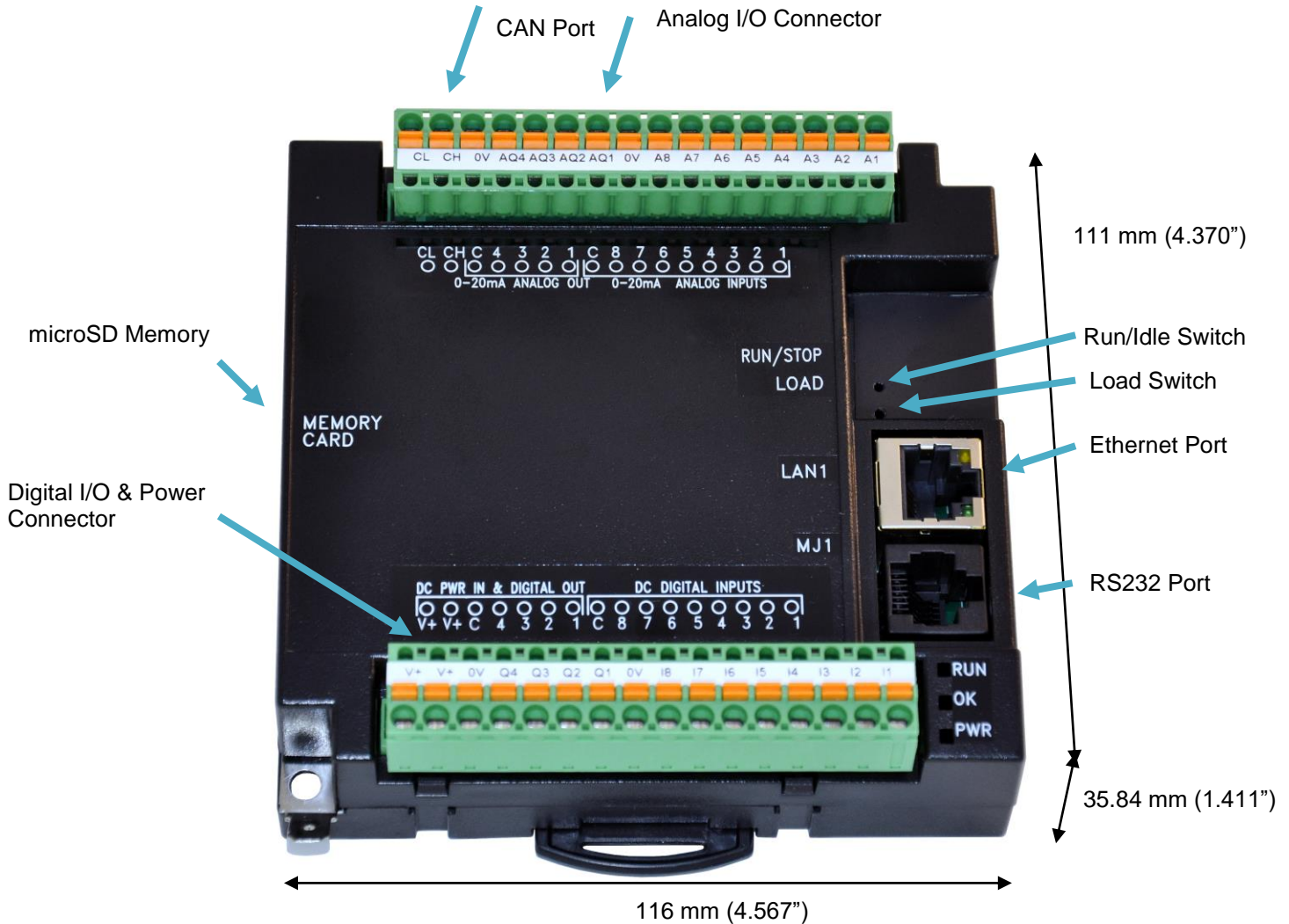
1 CAN port (CsCAN protocol)

1 Ethernet Port (webserver, Modbus TCP, email)

## 1 Specifications

Digital DC Inputs		RCC972		Digital DC Outputs		RCC972	
Inputs per Module	8		Outputs per Module		4		
Input Voltage Range	12VDC / 24VDC		Output Type		Sourcing / 10kΩ Pull-Down		
Absolute Max. Voltage	35VDC Max.		Absolute Max. Voltage		28VDC Max		
Input Impedance	10kΩ		Output Protection		Short Circuit		
Input Current	Positive Logic	Negative Logic	Max. Output Current per point		0.5A		
Upper Threshold	0.8mA	-1.6mA	Max. Total Current		2A Continuous		
Lower Threshold	0.3mA	-2.1mA	Max. Output Supply Voltage		30VDC		
Max Upper Threshold	8VDC		Minimum Output Supply Voltage		10VDC		
Min Lower Threshold	3VDC		Max. Voltage Drop at Rated Current		0.25VDC		
OFF to ON Response	Scan rate dependent		Max. Inrush Current		650mA per channel		
ON to OFF Response	Scan rate dependent		Min. Load		None		
			OFF to ON Response		Scan rate dependent		
			ON to OFF Response		Scan rate dependent		
			Output Characteristics		Current Sourcing (Pos logic)		
Analog Inputs		RCC972		Analog Outputs		RCC972	
Number of Channels	8		Outputs per Module		4		
Input Range	0 - 20mA		Output Ranges		0 - 20mA.		
Maximum input resistance	72Ω (Clamped @ -0.5VDC to 6VDC)		Minimum Current load		500Ω		
Safe input voltage range *	+/- 30VDC		Galvanic Isolation		None		
Negative Logic	12 Bits		Nominal Resolution		12 Bits		
%AI full scale	0 - 32,000 counts		%AQ full scale		0 - 32,000 counts		
Max. Over-Current	35mA		Response Time		One update per ladder scan		
Accuracy (% of full scale)	1.00%		Accuracy (% of full scale)		0.5%		
Max. Error at 25°C (excluding zero)	1.5% of full scale.		Max. Error at 25°C (excluding zero)		0.25% of full scale.		
Conversion rate	All channels converted once per ladder scan		Conversion rate		All channels converted once per ladder scan		
Filtering	160Hz hash (noise) filter 1-128 scan digital running average filter						
Register type	No. of Registers		Register type	No. of Registers			
%R	4096		%I, %Q	2048			
%T, %M	2048		%AI, %AQ	512			
%S	13		Network Digital In/Out	64 per ID			
%SR	1-192, 200-205		Network Analog In/Out	32 per ID			
Fieldbus				Ethernet			
CAN Hardware	Version 2.0		Ethernet Connector		RJ45, Auto MDIX		
Protocols	CsCAN		Protocols		See Ethernet manual ETN200 / ETN300		
Baud rate	125kBd, 250kBd, 500kBd, 1MBd		Baud rate		10/100Mb		
General Specification							
Operating Voltage Range	10 - 32VDC		Serial Port		1 x RS232 port, RJ45		
Required Power (Steady State)	130mA @ 24VDC		Program Memory Size		128kB		
Required Power (Inrush)	30A for 1ms @ 24VDC		Removable Memory Type		microSD, 32GB		
Operating Temperature	-10° to 60°C		Housing Type		Plastic (UL 50 rated, flame retardant, UV resistant.)		
Storage Temperature	-10° to 70°C		Mounting		DIN Rail / Panel mounting		
Relative Humidity	5 to 95% Non-condensing		Terminal Type		Spring clamp 0.2" / 5.08mm Removable		
Weight	10 oz. (325.0 g)		Battery backed		No		
			Switches		1-Run/Idle, 2-Load		
			LED's		1-Power, 2- OK, 3- Run		
CE	USA: <a href="https://hornerautomation.com/certifications/">https://hornerautomation.com/certifications/</a> Europe: <a href="http://www.horner-apg.com/en/support/certification.aspx">http://www.horner-apg.com/en/support/certification.aspx</a>						

- Do not apply external voltage without a load.



3 Ports / Connectors / Cables

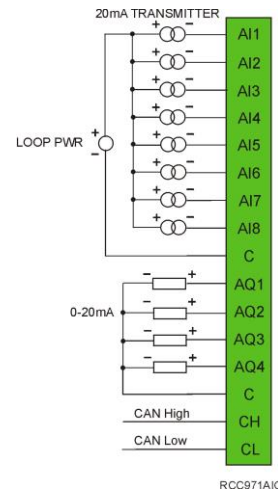
Memory Slot:

Uses **µSD Removable Memory** for data logging, screen captures, program loading and recipes.  
**Horner Part No.: HE-MC1**

Serial Communications:

**MJ1:** (RS-232 ) Use for Cscape programming and Application-Defined Communications.

Analog	RCC972
1	Analog In1
2	Analog In2
3	Analog In3
4	Analog In4
5	Analog In5
6	Analog In6
7	Analog In7
8	Analog In8
C	0V
1	Analog Out1
2	Analog Out2
3	Analog Out3
4	Analog Out4
0V	0V
CH	CAN High
CL	CAN Low



**Note:** The wiring examples show **Positive Logic** input wiring. Do not apply external Power to the Analog inputs without a load.

Wiring Specifications

•For I/O wiring (discrete), use the following wire type or equivalent: Belden 9918, 18 AWG (0.8mm<sup>2</sup>) or larger.

•For shielded Analog I/O wiring, use the following wire type or equivalent: Belden 8441, 18 AWG (0.8mm<sup>2</sup>) or larger.

**Power Up:** Connect to Earth Ground. Apply 10 – 30VDC.

Torque rating 4.5 – 7 in-lbs (0.50 – 0.78 N-m)

For CAN wiring, use the following wire type or equivalent: Belden 3084, 24 AWG (0.2mm<sup>2</sup>) or larger.

Pin	MJ1 Pins
8	TXD OUT
7	RXD IN
6	0V Ground
5	+5V (60mA Max) OUT
4	RTS OUT
3	CTS IN
2	N/C
1	N/C

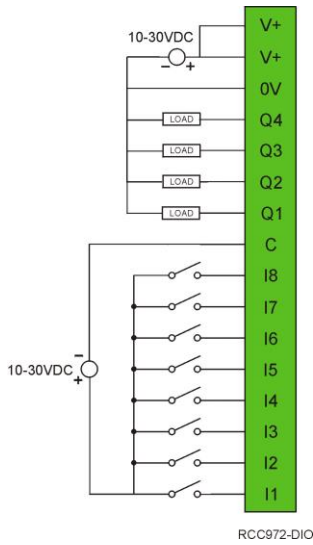
Ethernet Port:

The Ethernet port is a standard RJ45 port supporting: Webserver, various Ethernet protocols and Cscape programming. See: <http://heapg.com> Manual: SUP0740-07.pdf

4 Wiring

Wire according to the type of inputs / outputs used. Use Copper Conductors in Field Wiring Only, 60/75°C

Digital	RCC972
V+	DC Power In
V+	24V DC Out
C	0V
Q4	Digital Ou4
Q3	Digital Ou3
Q2	Digital Out2
Q1	Digital Out1
C	0V
I8	Digital In8
I7	Digital In7
I6	Digital In6
I5	Digital In5
I4	Digital In4
I3	Digital In3
I2	Digital In2
I1	Digital In1



6 Safety

When found on the product, the following symbols specify:



**WARNING:** To avoid the risk of electric shock or burns, always connect the safety (or earth) ground before making any other connections.

**WARNING:** To reduce the risk of fire, electrical shock, or physical injury it is strongly recommended to fuse the voltage measurement inputs. Be sure to locate fuses as close to the source as possible.

**WARNING:** Replace fuse with the same type and rating to provide protection against risk of fire and shock hazards.

**WARNING:** In the event of repeated failure, do not replace the fuse again as a repeated failure indicates a defective condition that will not clear by replacing the fuse.

**WARNING:** Only qualified electrical personnel familiar with the construction and operation of this equipment and the hazards involved should install, adjust, operate, or service this equipment. Read and understand this manual and other applicable manuals in their entirety before proceeding. Failure to observe this precaution could result in severe bodily injury or loss of life.

This device complies with part 15 of the FCC Rules. Operation is subject to the following two conditions:

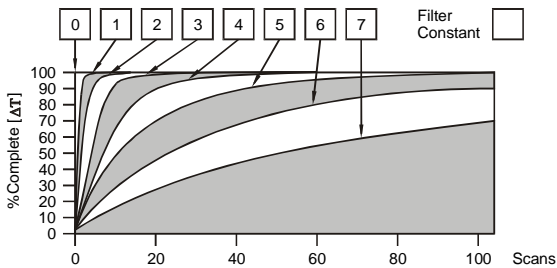
1. This device may not cause harmful interference.
2. This device must accept any interference received, including interference that may cause undesired operation.

Register Map

Registers	Description
%I1 to %I8	Digital Inputs
%I9 to %I15	Reserved
%I16	%Q Fault Status
%Q1 to %Q4	Digital outputs
%AI1 to %AI8	Analog inputs
%AQ1 to %AQ4	Analog outputs

5 Filter

Filter Constant sets the level of digital filtering according to the following chart



**Digital Filtering** module response to a temperature change. The illustration above demonstrates the effect of digital filtering (set with Filter Constant) on

♦ All applicable codes and standards need to be followed in the installation of this product.

♦ Adhere to the following safety precautions whenever any type of connection is made to the module:

- Connect the safety (earth) ground on the power connector first before making any other connections.
- When connecting to electric circuits or pulse-initiating equipment, open their related breakers.
- Do not make connections to live power lines.
- Make connections to the module first; then connect to the circuit to be monitored.
- Route power wires in a safe manner in accordance with good practice and local codes.
- Wear proper personal protective equipment including safety glasses and insulated gloves when making connections to power circuits.
- Ensure hands, shoes, and floor are dry before making any connection to a power line.
- Make sure the unit is turned OFF before making connection to terminals.
- Make sure all circuits are de-energized before making connections.
- Before each use, inspect all cables for breaks or cracks in the insulation. Replace immediately if defective.
- Use Copper Conductors in Field Wiring Only, 60/75°C

7 Technical Support

For assistance and manual updates, contact Technical Support at the following locations:

**North America:**  
+1 (317) 916-4274  
[www.hornerautomation.com](http://www.hornerautomation.com)  
email: [techspt@heapg.com](mailto:techspt@heapg.com)

**Europe:**  
(+) 353-21-4321-266  
[www.horner-apg.com](http://www.horner-apg.com)  
email: [techsupport@hornerirl.ie](mailto:techsupport@hornerirl.ie)

## 8 Diagnostics

### LED - Normal Functionality

LED	Off	ON	Flash (Hz)
<b>PWR</b>	No power applied	10-30 VDC applied	
<b>OK</b>	Self test fail	Self test pass	I/O forcing enabled.
<b>RUN</b>	Stop mode	Run Mode	Do I/O Mode.

### LED Load Program/Firmware Functionality

LED OK & RUN	Flashing Alternately	Flashing Together	Flashing Stops
<b>Load program or firmware</b>	Download in Progress	Download fails, number of flashes indicates the error.	Download Complete, unit reboots (allow 30 seconds).

### Switch - Normal Functionality

#### Load switch

- Pressing the **LOAD** switch during power-up boots from the Micro SD card. This starts a Firmware Load if the Micro SD is bootable and valid firmware files are found on it.
- After boot-up, pressing the **LOAD** switch for 3 seconds either starts a Firmware Load or an Application Load depending upon what files are found on the Micro SD. If firmware files are found, a Firmware Load is performed. If firmware files are not found and the DEFAULT.PGM file is found, an Application Load is performed.

#### Run/Stop switch

- After boot-up, pressing the **RUN/STOP** switch for 3 seconds toggles the RCC between RUN and STOP modes.

### Switch - Erase Program Function

#### LOAD and RUN/STOP

- After boot-up, pressing both Load and RUN/Stop switches for 3 seconds performs an "Erase All" function, which deletes all application programs.

### LED - Diagnostic Functionality

The LEDs are also used to indicate some fault conditions in the unit. The two LEDs, OK and RUN, will flash a number of times depending upon the fault. There will be a two second gap and the pattern will be repeated. The number of flashes and the associated error are as follows:

No. of flashes	Fault Meaning
2	The MAC ID is empty.
3	The internal MAC file is corrupt.
4	The MAC ID TXT file is invalid.
5	The MAC ID file is not found or the microSD card is empty or missing system files.

Diagnostic Led flashing table.